

MADE IN
GERMANY

Surgical Draping Systems

Premium quality. Efficiency. Variety.

Product Catalogue



Safety for You and Your Patients

Since 1979, Sengewald, as the only manufacturer for surgical draping systems from the laminating and converting process in Germany, has been developing innovative and user-friendly products. These allow more efficient procedures and make surgeries more prolific and safer. 23 million drapes and 4 million packs speak for themselves – and for us.

In the operating theatre every minute counts. With our Secu-Drape® brand, we offer you a variety of complete draping systems, single drapes in various material qualities, as well as protective clothing to facilitate surgery preparation. With Secu-Tray® you can in addition not only select from existing complete sets, but also compose your own surgical procedure pack – completely according to your own personal needs: As technological market leader, we have the professional competence and flexibility to respond quickly to changing market needs. According to your individual requirements, we combine first-class solutions with high application comfort. You are always welcome to seek advice from our experienced employees. Your need is our challenge, your satisfaction is our goal.

Quality “made in Germany” is our basic attitude which is lived anew every day. Therefore, we focus on the entire production process to ensure compliance and continuous improvement of all product and hygiene standards – for your safety and the protection of your patients.

Last but not least, we care about sustainability. All materials used by Sengewald are 100% free of PVC, emollients and heavy metals.

The Premium Quality Material

Mediwell super strong - Symbiosis of comfort and functionality

The basic non-woven

- ✓ Pleasantly soft and extremely absorbent
- ✓ The typical orange skin structure binds fluids of over 6 times own weight

The protective film

- ✓ Perfect barrier against microbes
- ✓ Super soft and absolutely impermeable to fluids
- ✓ The patient remains dry and is safely protected from infections
- ✓ The film is extremely lightweight and nevertheless highly tear resistant

The patient layer

- ✓ The non-woven is especially soft and durable
- ✓ Thanks to the lamination technology with the tiny air cushions it lies even more pleasantly on the skin and provides maximum patient comfort



Custom Procedure Trays (CPT)

Custom-made solutions for your surgical application

Since more than 30 years Secu-Tray® systems from Sengewald combine individuality and standardisation in the OR: 4 million customer-specific packs leave our production facilities per year in more than 2,000 different configurations.

We are happy to support you from the initial consultation up to the adoption of your individual pack in the daily routine in the operating theatre. Alternatively packs can also be selected or modified from our catalogue. Thereby, every component contained in the tray can be tracked back – through this flexibility meets premium quality and absolute material safety.

Our effort – your profit:

- ✓ Competent support in defining the pack contents
- ✓ Indication related and individual composition
- ✓ Process standardisation
- ✓ Increase of efficiency in the OR
- ✓ Absolute cost transparency
- ✓ Less storage space requirement
- ✓ Minimisation of waste



- Our products fulfil the highest requirements:
- ✓ High tensile strength
 - ✓ High absorption capacity
 - ✓ Impervious to bacteria and fluids
 - ✓ PP non-woven for maximum patient comfort
 - ✓ Latex-free

All multiple and single layer materials are also available in packs that can be completely individually compiled according to your requirements. So you are best prepared for complex interventions. Our products thereby exceed all the requirements of EN 13795 and bear the CE label according to EC directive 94/92 EEC medical devices.

Multiple Layer

Single-Ply

Mediwell

2 or 3-ply material combination; absorbent and impervious to bacteria and fluids, HP.

Uses: as back table covers or a sterile field, patient drapes for minor procedures with low fluid incidence, as a bottom drape.



Mediwell soft

Soft non-woven material, particularly similar to textiles; low-linting, alcohol and fluid-repellent, breathable, very comfortable to wear, SP.

Uses: as a patient drape for ophthalmic surgery, scrub suits, jackets and OR gowns.



Mediwell super

2 or 3-ply material combination; extremely high absorbent capacity, impervious to bacteria and fluids, HP.

Uses: as back table covers, patient drapes for medium to major procedures, as a bottom drape.



Mediwell light

Light SMMMS non-woven; alcohol and fluid-repellent, breathable, comfortable to wear, SP.

Uses: as a patient drape for ophthalmic surgery, OR gowns.



Mediwell super strong

3-ply material combination; extremely high absorbent capacity and highly tear resistant, impervious to bacteria and fluids, HP.

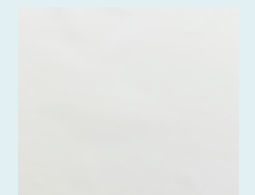
Uses: as patient drapes for medium to major procedures with high fluid incidence.



Filmdrape

Contact transparency, micro-embossed, very drapeable PE film; impervious to bacteria and fluids, HP.

Uses: as a patient drape for minor and medium procedures in anaesthesia and ophthalmology.



Mediwell absorb

2-ply material combination; as a reinforcement non-woven with high absorptive capacity, very great wet rub-resistance, impervious to bacteria and fluids, HP.

Uses: as a reinforcement for angiography drapes and mayo stand covers as well as for custom drapes for procedures with a very high fluid incidence and/or subject to extremely great demands, also available as freely applicable adhesive drapes.



Colordrape

Very drapeable PE coex film, impervious to bacteria and fluids, turquoise-coloured, HP.

Uses: special applications as patient drapes or as reinforcement in high-performance OR gowns.



aquamarine

2 or 3-ply material combination; very absorbent and exceedingly tear resistant, impervious to bacteria and fluids, HP.

Uses: as back table covers, patient drapes for all procedures.



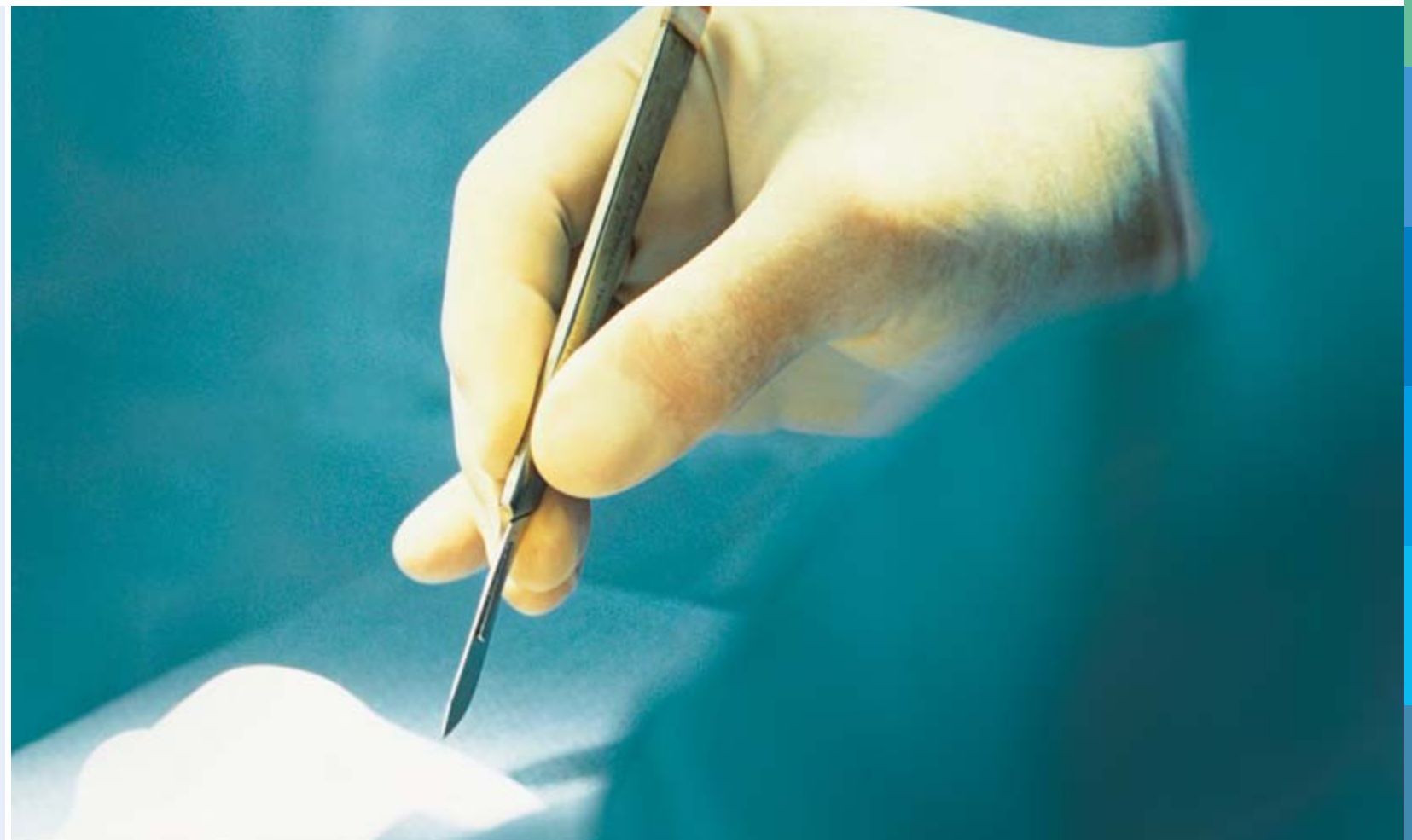
HP: fulfils the requirements of EN 13795 for High Performance
SP: fulfils the requirements of EN 13795 for Standard Performance

Neurosurgery, ENT, OMS, Ophthalmology



The innovative neurosurgery drapes have a reinforced incision area and generous fluid collection pouch allows an effective fluid management.

The turban drape can be flexibly used in face surgery. Special eye and ENT drapes offer a user-friendly solution.

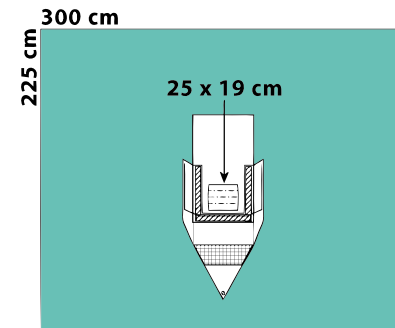


Neurosurgery Drapes

Neurosurgery Drape, standard 558845

PU: 14 drapes

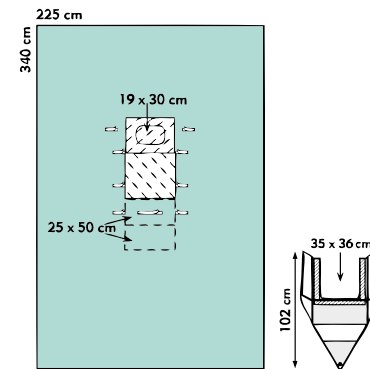
Description	Size/cm	Qty.
Neurosurgery drape, 2-ply, with 25 x 20.5 cm aperture, with integral 48 x 80 cm incision film, partially as a reinforcement with fluid collection pouch with sieve and drainage port	300 x 225	7



Neurosurgery Drape, aquamarine 859140-9

Description	Size/cm
Neurosurgery drape, aquamarine 3-ply, with anti-slipping reinforcement, 30 x 19 cm aperture, with integral 50 x 80 cm incision film, partially as a reinforcement, 9 velcro strips. Separate: fluid collection pouch with sieve and drainage port	340 x 225

Only available as a non-sterile pack component

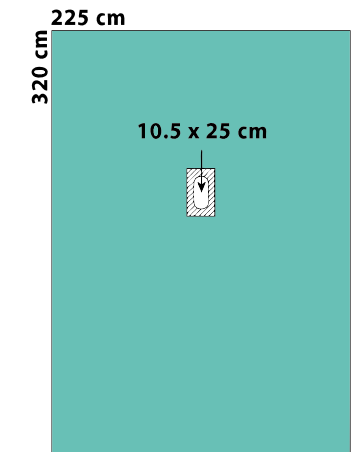


Laminectomy Drapes

Laminectomy Drape 558808

PU: 12 drapes

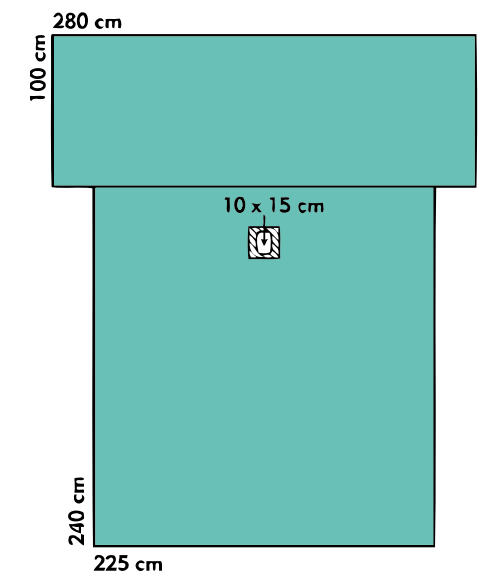
Description	Size/cm	Qty.
Laminectomy drape, 10.5 x 25 cm aperture, decentral, adhesive	225 x 320	6



Laminectomy Drape T-Form 559085-9

Description	Size/cm
Laminectomy drape, T-form, aperture 10 x 15 cm, decentral, adhesive	280/225 x 340

Only available as a non-sterile pack component



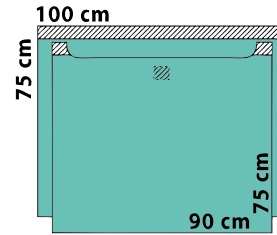
Turban Drape

Turban Drape

538919

Dispenser, PU: 50 drapes

Description	Size/cm	Qty./disp.
Turban drape, 3-ply, 2-part, with adhesive areas	100/90 x 75	50



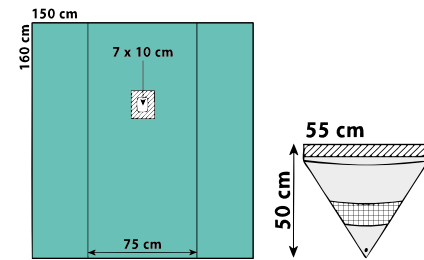
ENT Drapes

Ear Drape

558958-9

Description	Size/cm	Qty.	Ref. no.
Ear drape, with 7 x 10 cm aperture, adhesive and integral Mediwell absorb reinforcement	150 x 160	1	558958
Included loose fluid collection pouches with sieve and drainage port	55 x 50	1	589901

Only available as a non-sterile pack component

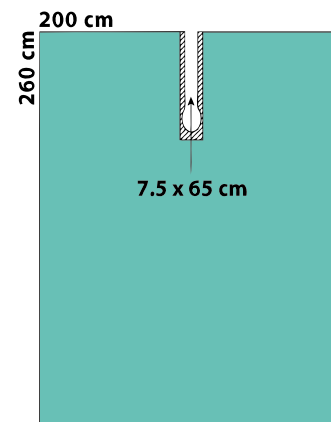


Paediatrics/ENT Split Sheet

528815

PU: 14 drapes

Description	Size/cm	Qty.
Split sheet with 7.5 x 65 cm U-slit and special adhesive for sensitive skin	200 x 260	7

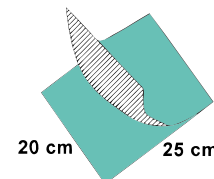


OR Tape

592025

Dispenser, PU: 420 tapes

Description	Size/cm	Qty./disp.
Non-woven, standard, adhesive layer impermeable to fluids	20 x 25	70



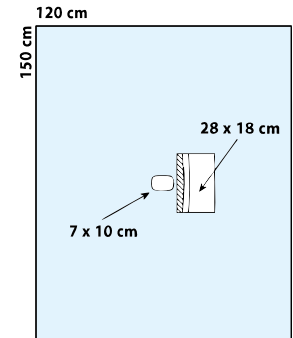
Eye Drapes

Eye Drape

585701

Dispenser, PU: 80 drapes

Description	Size/cm	Qty./disp.
Eye drape, Mediwell soft, with 10 x 7 cm aperture with integral incision film and fluid collection pouch with pliable metal strip	120 x 150	20

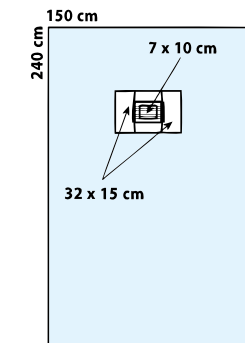


Eye Drape

585703

Dispenser, PU: 40 drapes

Description	Size/cm	Qty./disp.
Eye drape, Mediwell soft, with 10 x 7 cm aperture with dual fluid collection pouch with pliable metal strips and integral incision film	150 x 240	10

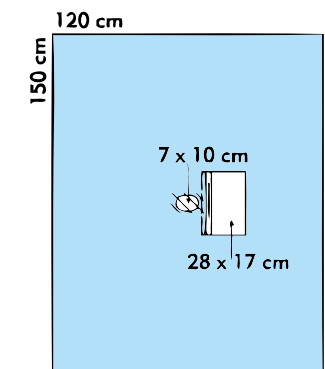


Eye Drape

585731

Dispenser, PU: 70 drapes

Description	Size/cm	Qty./disp.
Eye drape, Mediwell light, with 10 x 7 cm aperture, central, with integral incision film and fluid collection pouch with pliable metal strip	120 x 150	35

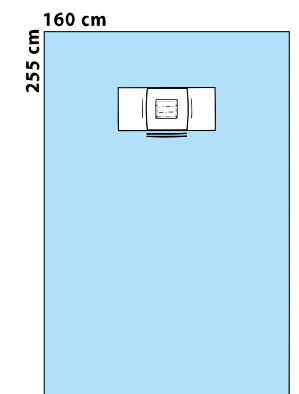


Eye Drape

555751

Dispenser, PU: 24 drapes

Description	Size/cm	Qty./disp.
Eye drape, Mediwell light, with 12 x 10 cm aperture, with dual fluid collection pouch with pliable metal strips and 2 nose strips	160 x 255	12

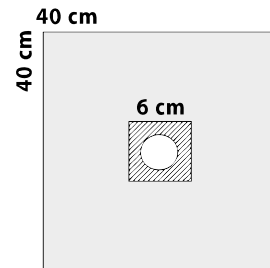


Ophthalmological Drapes

Aperture Drape, Filmdrape **556601**

Dispenser, PU: 840 drapes

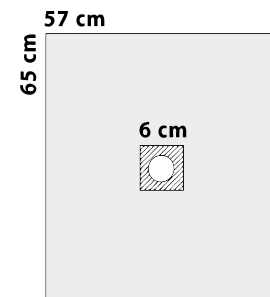
Description	Size/cm	Qty./disp.
Ø 6 cm aperture, adhesive	40 x 40	140



Aperture Drape, Filmdrape **556602**

Dispenser, PU: 480 drapes

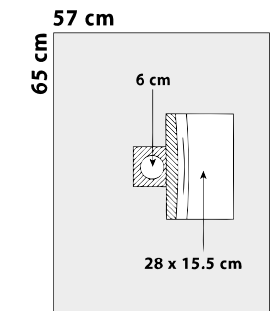
Description	Size/cm	Qty./disp.
Ø 6 cm aperture, adhesive	57 x 65	80



Eye Drape, Filmdrape **556652**

Dispenser, PU: 200 drapes

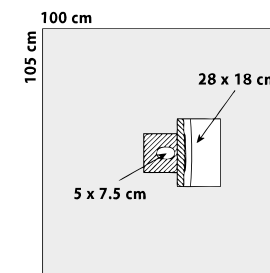
Description	Size/cm	Qty./disp.
Ø 6 cm aperture, adhesive, with fluid collection pouch with pliable metal strip	57 x 65	50



Eye Drape, Filmdrape **586601**

Dispenser, PU: 160 drapes

Description	Size/cm	Qty./disp.
Aperture 7.5 x 5 cm, adhesive, with fluid collection pouch with pliable metal strip	100 x 105	40

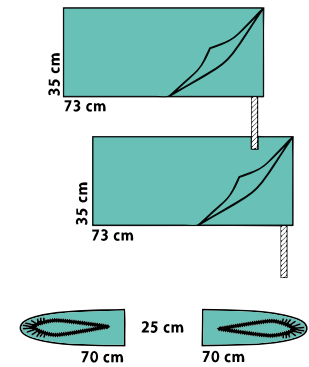


Supplementary Products

Armrest Covers dispenser

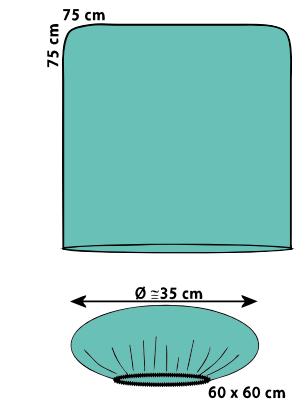
Mediwell super, 2-ply

Description	Size/cm	Qty./disp.	Ref. no.
with integral tape strip PU: 90 pairs	35 x 73	15 pairs	583573
elastified PU: 80 pairs	25 x 70	20 pairs	583574



Stool Cover dispenser

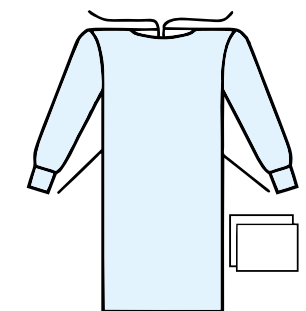
Description	Size/cm	Qty./disp.	Ref. no.
Mediwell super, 2-ply PU: 90 covers	75 x 75	15	588875
Mediwell super, 2-ply elastified PU: 210 covers	60 x 60	35	588860



Special Tie Gowns/SP for ophthalmology

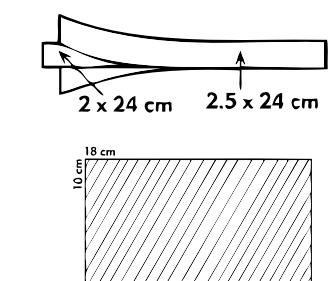
Description	Length/cm	Ref. no.
	L=130	464423-9
	L/XL=140	464462-9
	XL=150	464426-9

Only available as a non-sterile pack component



Accessories dispenser

Description	Size/cm	Qty./disp.	Ref. no.
Velcro strip PU: 600 pcs.	2/2.5 x 24	100	592525
Incision film PU: 900 pcs.	10 x 18	150	591018



This catalogue only contains products of our **Secu-Drape®** Brand

Single sterile with indication of the packaging unit:

Article deliverable from stock
Lead time: usually kept in stock
Minimum order quantity: 1 packaging unit (PU)

All drapes or gowns are available as a pack component.

Pack component (article number ends with "-9"):

These products are only available as non-sterile pack component.
If articles are required as single sterile products, it's available on request.
Lead time: upon request

Sengewald Klinikprodukte GmbH
Adlerstraße 2
83101 Rohrdorf-Thansau
Germany

FON +49 (0)8031 7224-0
FAX +49 (0)8031 7224-297
sengewald@stsmedicalgroup.com
www.sengewald.de

